

Mach 130 F Mach 130

NEW design of stand,
wall- and ceiling-arm

Operating lamp for
examination and small
surgery with outstanding
colour rendering

Featuring:

- high performance special halogen light source
- high light intensity with colour rendition similar to daylight
- focusable light field (model 130 F)
- cold light reflectors (model 130 F with additional cold light filters) for low heat radiation on the field
- computer optimized biconvex dispersion lenses to guarantee homogenous light field
- easy positioning of lamp head
- on/off-switch at lamp head
- electronic light intensity control (only with 220V transformer in lamp head)
- internal and external transformer available for 110/127V 230/250V

Accessories, Spare parts:

- handle sleeve with removable and sterilizable handle item no. 9000 2400 93
- additional sterilizable handle (to item no. 9000 2400 93) item no. 2115 0001
- halogen bulb 22.8V 50W item no. 6710 0201

Ceiling model combinations with other lampmodels or instrument tray available

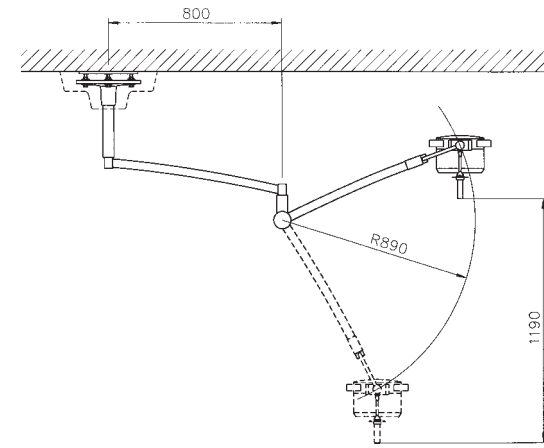


Dr. Mach
Lighting + Technology

Technical specifications	Mach 130 F	Mach 130
Light intensity at 1 meter	40.000 lux	30.000 lux
Light intensity at 0.8 meter	53.000 lux	43.000 lux
Colour rendering index R _a (general)	96	93
Colour rendering index R ₉ (red)	> 90	> 80
Colour temperature	4300 K	4300 K
Light field size	14 - 25 cm focusable	17 cm fixed-focus
Working distance	70 - 140 cm	70 - 140 cm
Diameter of lamp head	22 cm	22 cm
Halogen bulb	22,8V 50W	22,8V 50W
Power connection	230/250V	230/250V
Finish	clear white RAL 9010	clear white RAL 9010

Subject to technical amendments.

5.000 / 01.03



Ceiling model

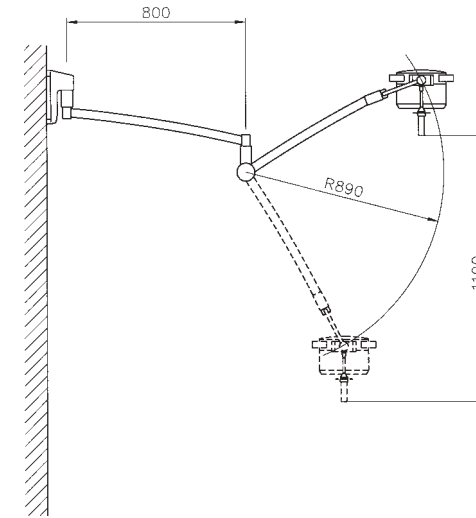
Mach 130 F
item no. 1302 3033 30
Mach 130
item no. 1301 2033 30

Please state exact room height

- height adjustment: 119 cm
- swivel range: 169 cm
- total weight for room height 3 m: 15 kg

Accessory for mounting:

- ceiling anchorage ring TK 270 item no. 1500 0002 70



Wall model

Mach 130 F
Best.-Nr. 1302 3022 02
Mach 130
Best.-Nr. 1301 2022 02

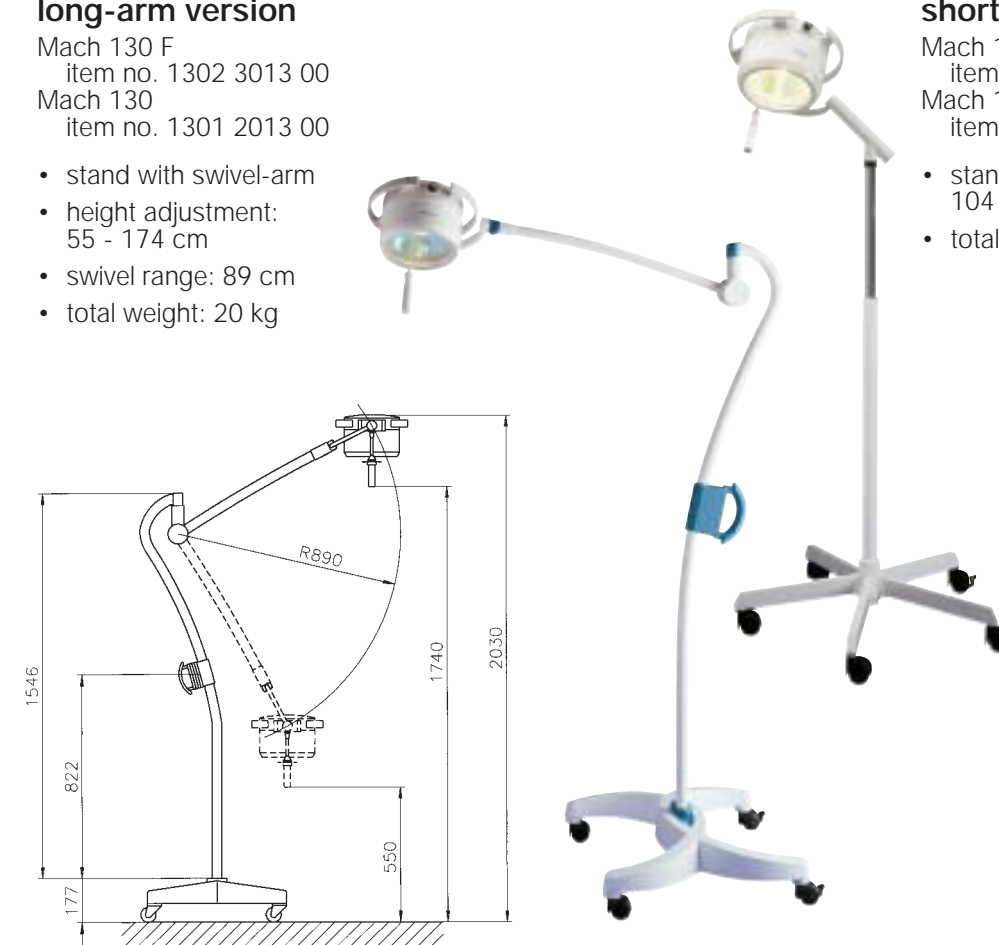
- total weight: 8 kg



Stand model long-arm version

Mach 130 F
item no. 1302 3013 00
Mach 130
item no. 1301 2013 00

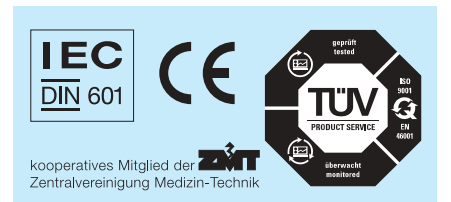
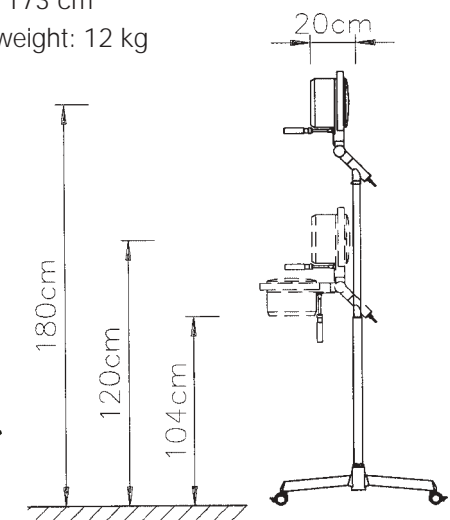
- stand with swivel-arm
- height adjustment: 55 - 174 cm
- swivel range: 89 cm
- total weight: 20 kg



Stand model short-arm version

Mach 130 F
item no. 1302 3011 00
Mach 130
item no. 1301 2011 00

- stand with one hand height adjustment: 104 - 173 cm
- total weight: 12 kg



www.dr-mach.de