

Examion

New

EXAMION® PRODUCTS

X-ray generators

For CR/film.

Stationary and portable devices
for fast and precise diagnoses



Examion

New

EXAMION® X-DENT HF

Dental cone CR/film x-ray generator for radiological applications in the small-animal veterinary practice.

- ✓ High image quality
- ✓ Minimal radiation exposure
- ✓ Dual voltage
- ✓ Wall plugg capable
- ✓ Electronic timer with preset exposure times and choice of dental arch



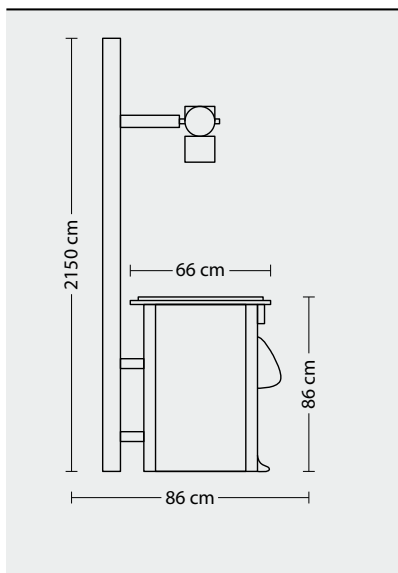
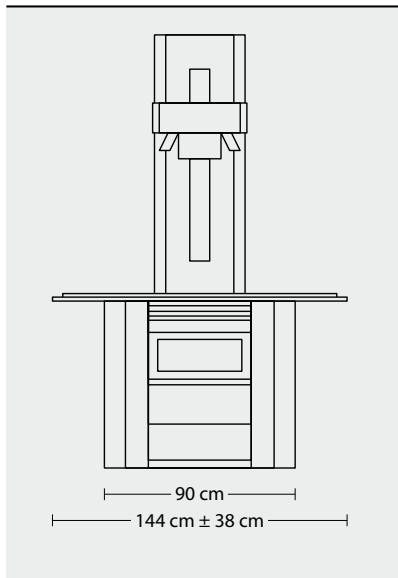
SPECIFICATIONS

| HIGH-FREQUENCY X-RAY DEVICE | DENTAL CONE X-RAY MACHINE |
|-----------------------------|----------------------------------|
| | GENERATOR: 300 kHz |
| | TUBE VOLTAGE: 60/70 kV |
| | TUBE CURRENT: 4/8 mA |
| | FOCUS: 0.7 mm |
| | POWER SUPPLY: 230 - 240 V, 50 Hz |
| | WEIGHT: 19.5 kg |

EXAMION® MAXIVET 300HF

Stationary CR/film x-ray generator for radiological applications in the small-animal veterinary practice.

- ✓ 125 kV and 300 mA
- ✓ High frequency
- ✓ Floating table top
- ✓ Capacitor technology:
3.5 kW input → 32 kW output!
- ✓ Wall plugg capable
- ✓ height-adjustable tube head
- ✓ 605 organ programmes



SPECIFICATIONS

HIGH-FREQUENCY X-RAY DEVICE

OUTPUT POWER: 32 kW

VOLTAGE RANGE: 40 - 125 kV

CURRENT RANGE: 1.0 - 100 mAs

SWITCHING TIME: 0.001 - 1.25 s

MAINS CONNECTION: 230 V - 50 Hz 1-phase
(wall plugg capable)

CAPACITOR TECHNOLOGY: 3.5 kW input → 32 kW output

FOOT RELEASE SWITCH: 2-stage with safety function

TABLE HEIGHT: 850 mm

TABLE TOP: 144 x 66 cm, offset ± 38 cm

TUBE: Electrically height-adjustable

TUBE

x-ray tube with rotary anode and dual focus 1.0/2.0 mm

COLLIMATOR

Manual rotation, halogen lamp, timer

ACCESSORIES

Incl. scattered radiation grid 40 L/cm, 35 x 43 cm

Portable x-ray generators with high power

EXAMION® PX 20 HF PLUS

- ✓ 100 kV and 20 mA
- ✓ Light weight and compact design
- ✓ Best for mobile on-the-spot use



EXAMION® PX 40 HF

- ✓ 100 kV and 35 mA
- ✓ **Bestseller**
- ✓ Universal use

**All generators with
remote control
for kV/mA!**



EXAMION® PX 60 HF

- ✓ 100 kV and 60 mA
- ✓ Meets highest demands
- ✓ Best for stationary use



SPECIFICATIONS

| HIGH-FREQUENCY X-RAY GENERATOR | EXAMION® PX 20 HF plus | EXAMION® PX 40 HF | EXAMION® PX 60 HF |
|--------------------------------|--|--|--|
| MAX. OUTPUT: | 1.6 kW | 2.4 kW | 3.2 kW |
| VOLTAGE RANGE: | 40 - 100 kV, 1kV steps | 40 - 100 kV, 1kV steps | 40 - 100 kV, 1kV steps |
| CURRENT RANGE: | 0,3 - 50 mAs, 22 steps | 0,4 - 100 mAs, 25 steps | 0,4 - 100 mAs, 25 steps |
| TUBE: | Toshiba D-124 | Toshiba D-124 | Toshiba D-205B |
| FOCAL SPOT: | 1.2 x 1.2 mm | 1.2 x 1.2 mm | 2.0 x 2.0 mm |
| HU CAPACITY: | 20 kHU | 20 kHU | 40 kHU |
| COOLING RATE | 250 HU/sec | 250 HU/sec | 378 HU/sec |
| CONTROL PANEL: | Display and control mAs, kV, Laser, Light; with remote control | Display and control mAs, kV, Laser, Light; with remote control | Display and control mAs, kV, Laser, Light; with remote control |
| COLLIMATOR | with laser pointer, auto timer and measuring tape; Optional with dual-distance laser | with laser pointer, auto timer and measuring tape; Optional with dual-distance laser | with laser pointer, auto timer and measuring tape; Optional with dual-distance laser |
| INPUT: | 110/220 VAC, 50/60 Hz, 16 A, single phase (wall plugg) | 110/220 VAC, 50/60 Hz, 16 A, single phase (wall plugg) | 110/220 VAC, 50/60 Hz, 16 A, single phase (wall plugg) |
| DIMENSIONS (WXHXL): | 220 x 200 x 352 mm | 250 x 195 x 355 mm | 250 x 195 x 355 mm |
| WEIGHT: | 9.0 kg | 12.8 kg | 14.6 kg |
| ACCESSORIES | incl. carrying case | | |

